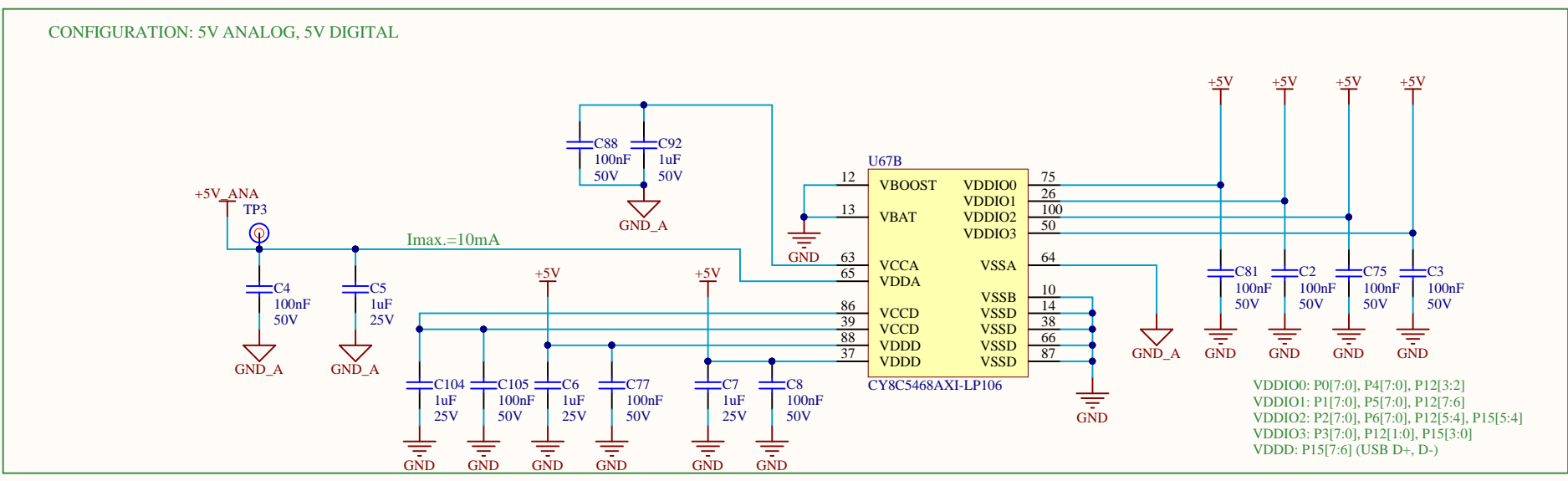
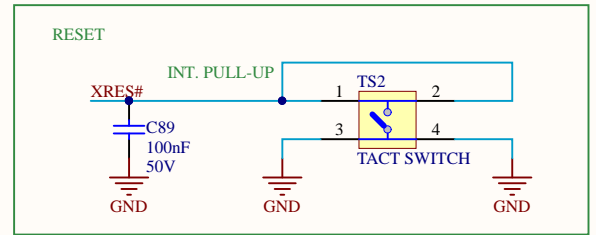
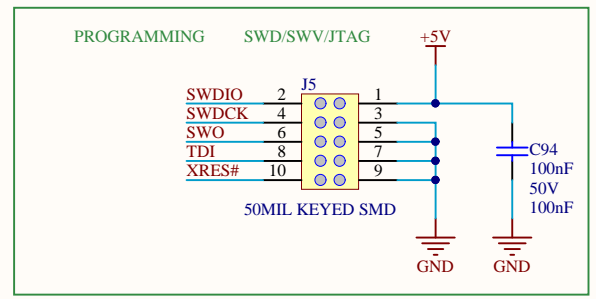
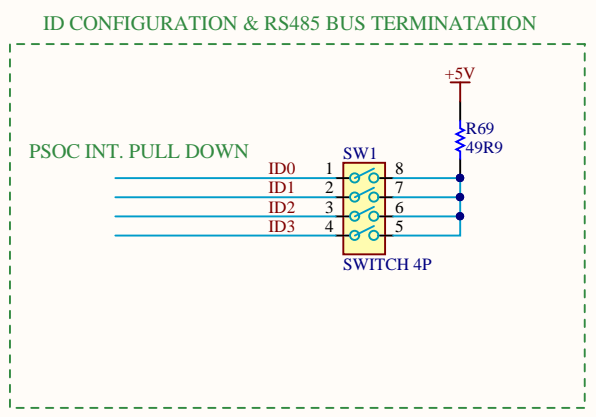
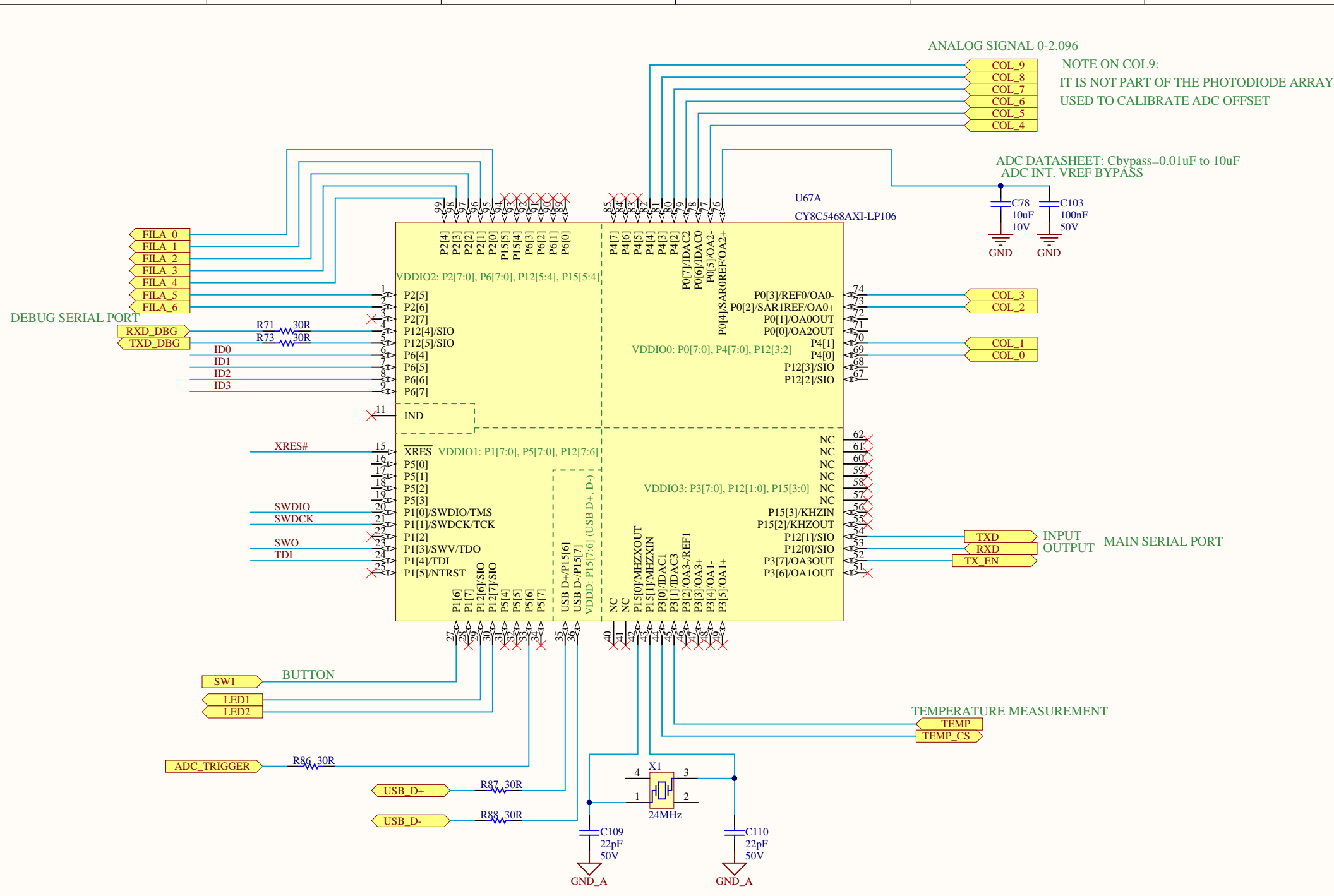
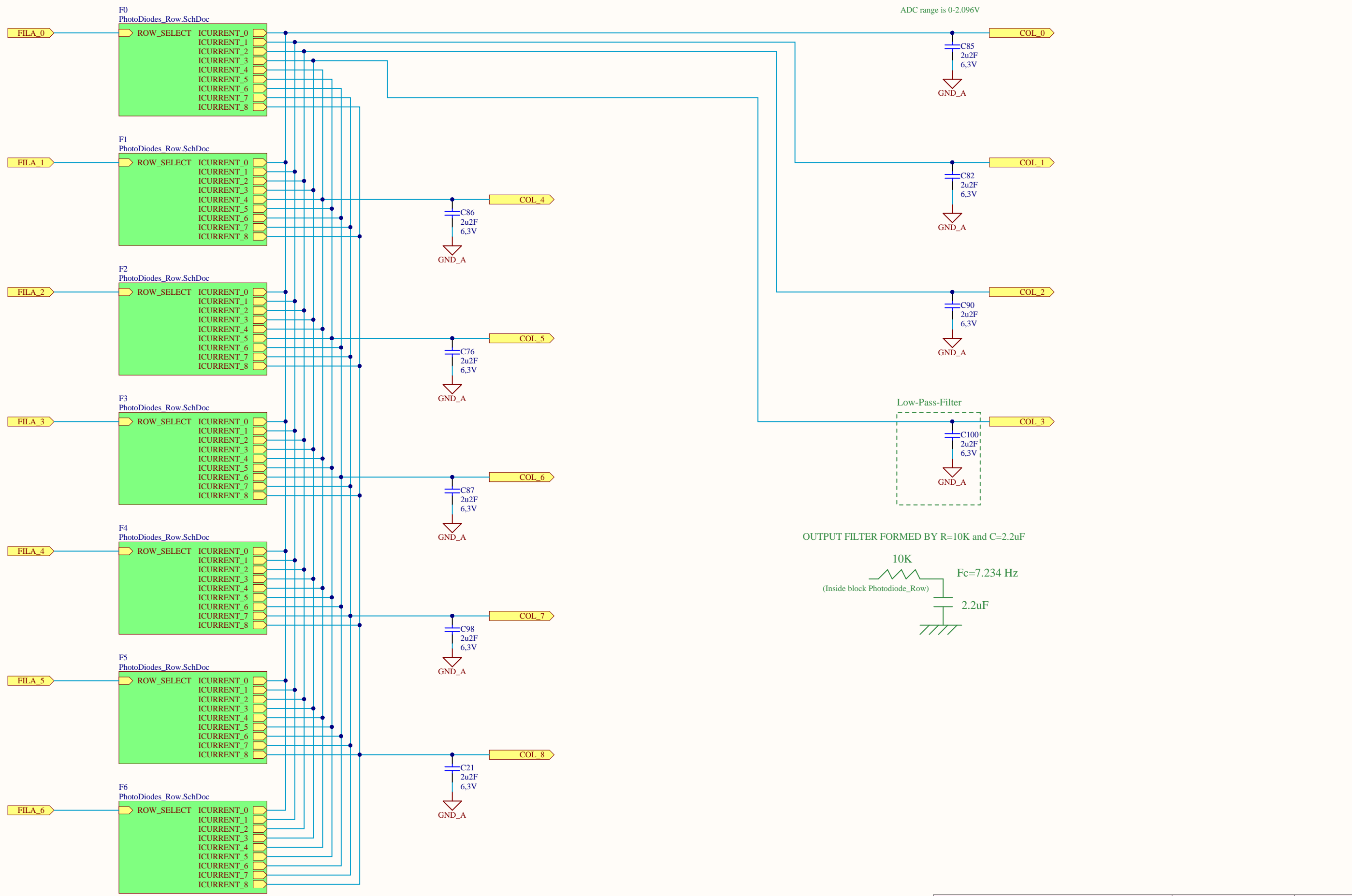


Title: Top		Cerro Electronic Design S.L.	
Project: CP030_PCB_PhotoArray.PrjPcb		Madrid	
Variant: [No Variations]		Spain	
Date: 27/03/2019	Revision: V2.0	Sheet 2 of 9	
File: Top.SchDoc		Engineer: JLC	





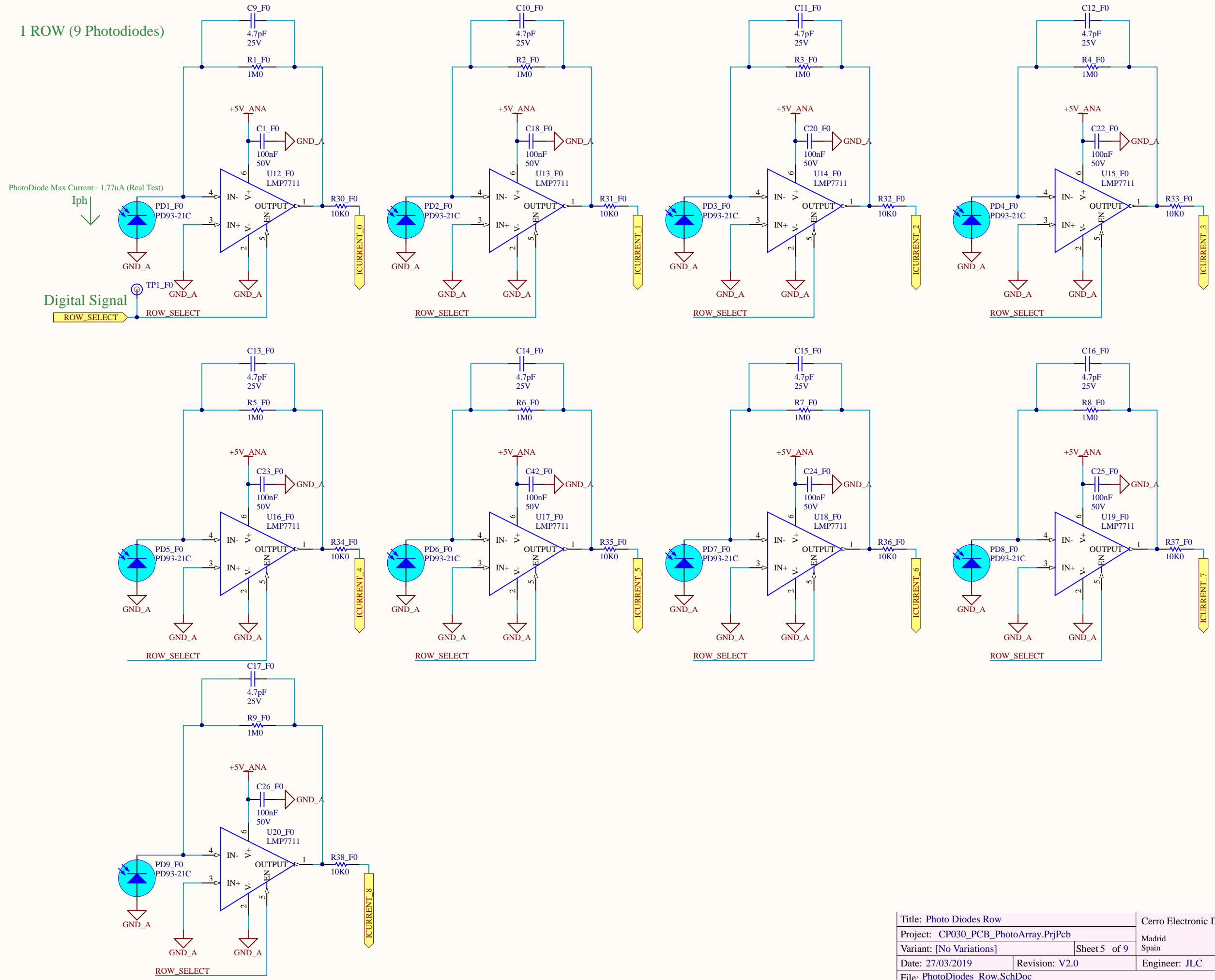
Title: PSoC		Cerro Electronic Design S.L. Madrid Spain ENGINEER DESIGN
Project: CP030_PCB_PhotoArray.PrijPcb		
Variant: [No Variations]	Sheet 3 of 9	
Date: 27/03/2019	Revision: V2.0	
File: PSoC.SchDoc		



Title: PhotoDiodes_Array		Cerro Electronic Design S.L.	
Project: CP030_PCB_PhotoArray.PrijPcb		Madrid	
Variant: [No Variations]	Sheet 4 of 9	Spain	
Date: 27/03/2019	Revision: V2.0	Engineer: JLC	
File: PhotoDiodes_Array.SchDoc			



1 ROW (9 Photodiodes)



Title: Photo Diodes Row		Cerro Electronic Design S.L.	
Project: CP030_PCB_PhotoArray.PrijPcb		Madrid	
Variant: [No Variations]	Sheet 5 of 9	Spain	
Date: 27/03/2019	Revision: V2.0	Engineer: JLC	
File: PhotoDiodes_Row.SchDoc			



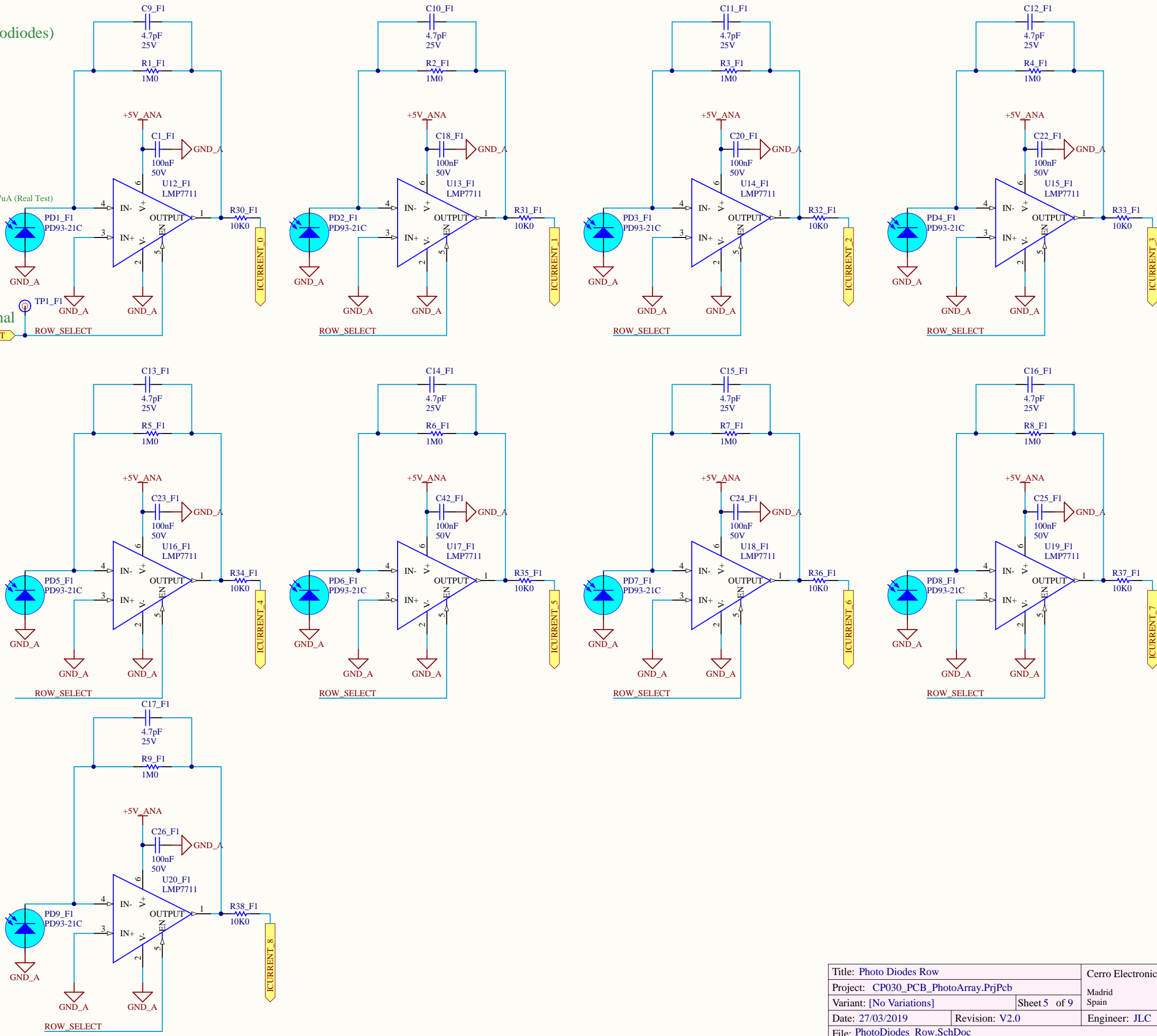
1 ROW (9 Photodiodes)

PhotoDiode Max Current= 1.77uA (Real Test)

$I_{ph}$

Digital Signal

ROW\_SELECT



Title: Photo Diodes Row		Cerro Electronic Design S.L.	
Project: CP030_PCB_PhotoArray.PrijPcb		Madrid	
Variant: [No Variations]	Sheet 5 of 9	Spain	
Date: 27/03/2019	Revision: V2.0	Engineer: JLC	
File: PhotoDiodes_Row.SchDoc			



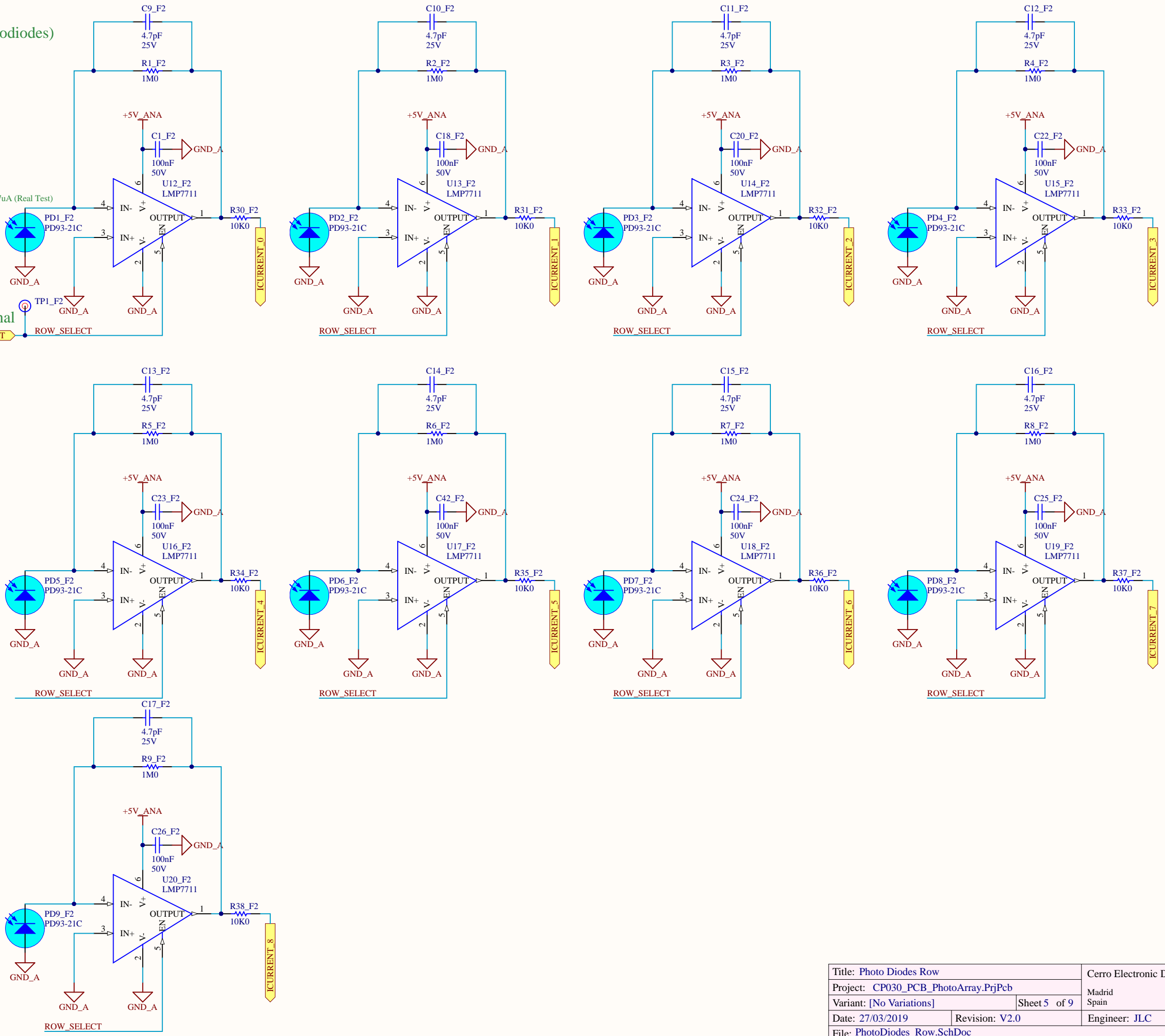
1 ROW (9 Photodiodes)

PhotoDiode Max Current= 1.77uA (Real Test)

$I_{ph}$

Digital Signal

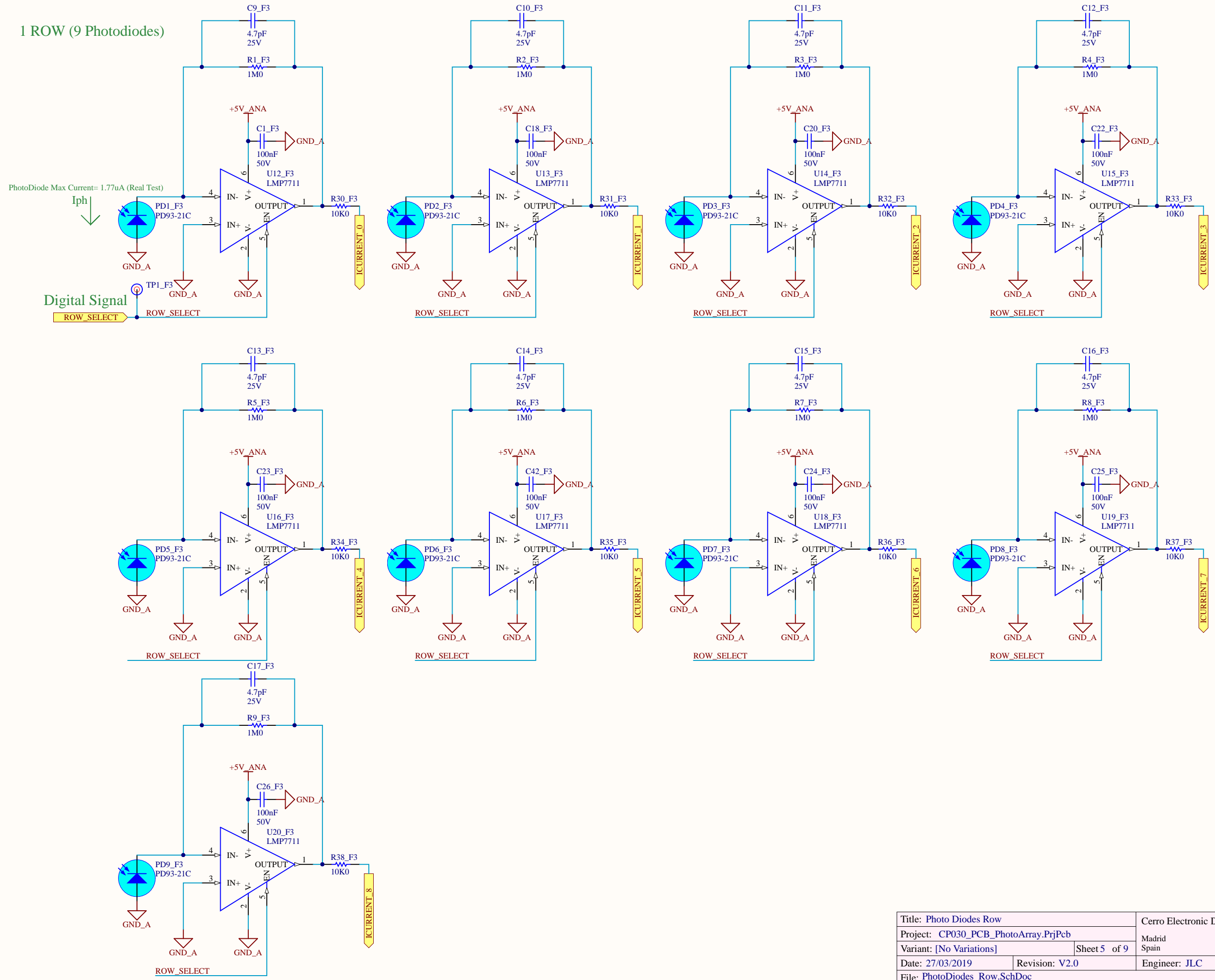
ROW\_SELECT



Title: Photo Diodes Row		Cerro Electronic Design S.L.	
Project: CP030_PCB_PhotoArray.PrijPcb		Madrid	
Variant: [No Variations]	Sheet 5 of 9	Spain	
Date: 27/03/2019	Revision: V2.0	Engineer: JLC	
File: PhotoDiodes_Row.SchDoc			



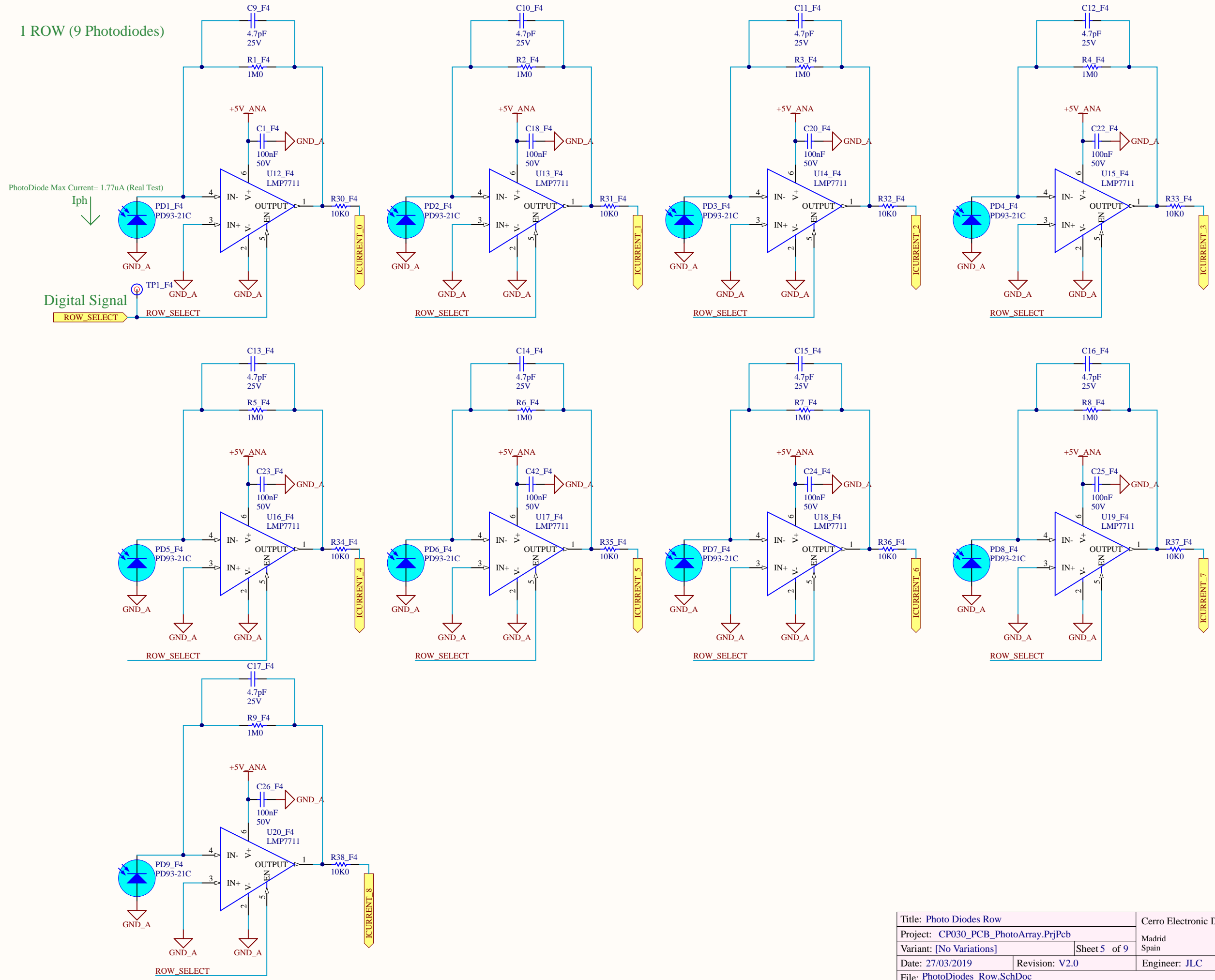
1 ROW (9 Photodiodes)



Title: Photo Diodes Row		Cerro Electronic Design S.L. Madrid Spain
Project: CP030_PCB_PhotoArray.PrijPcb		
Variant: [No Variations]	Sheet 5 of 9	Engineer: JLC
Date: 27/03/2019	Revision: V2.0	
File: PhotoDiodes_Row.SchDoc		



1 ROW (9 Photodiodes)

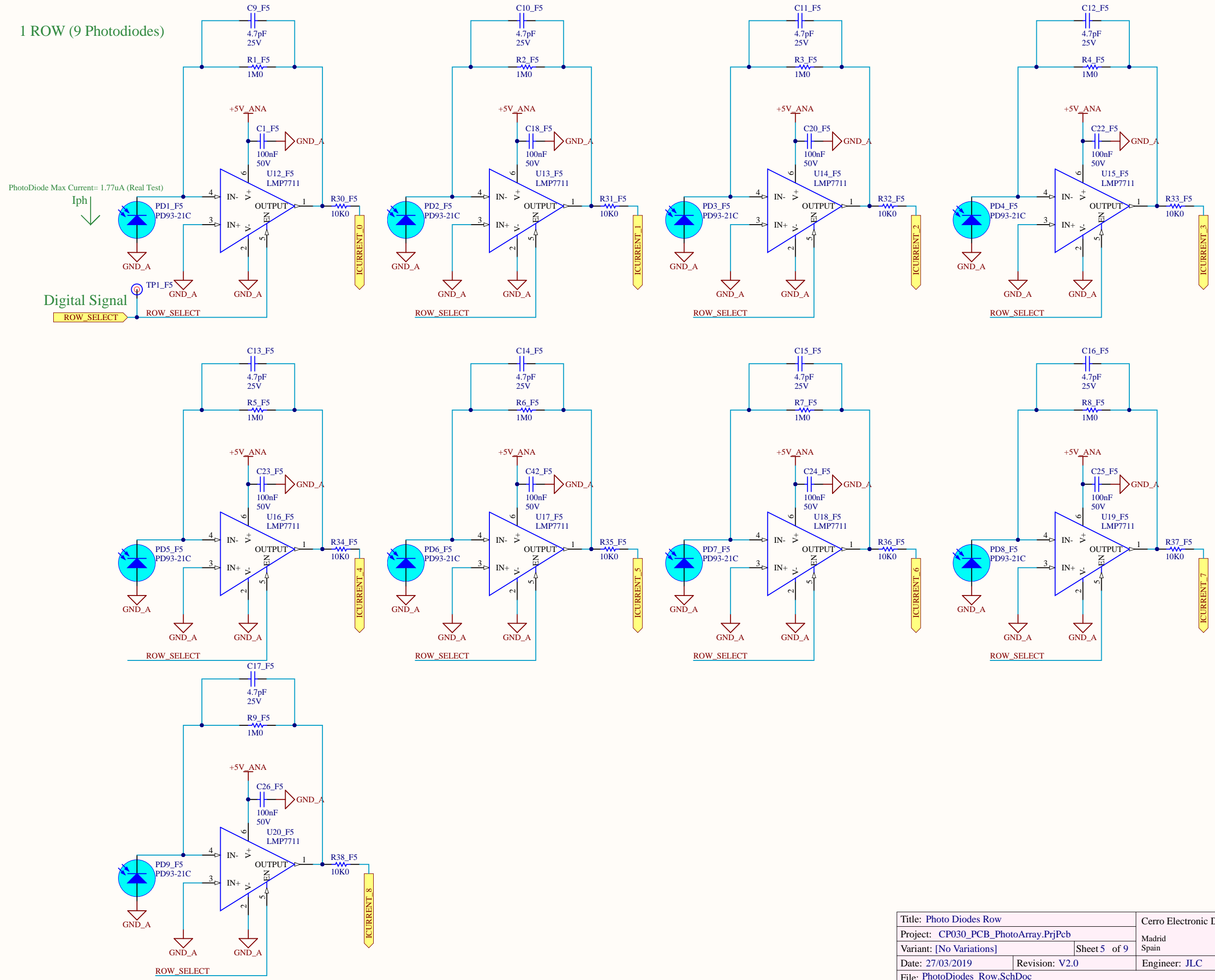


Title: Photo Diodes Row		Cerro Electronic Design S.L.	
Project: CP030_PCB_PhotoArray.PrijPcb		Madrid	
Variant: [No Variations]	Sheet 5 of 9	Spain	
Date: 27/03/2019	Revision: V2.0	Engineer: JLC	
File: PhotoDiodes_Row.SchDoc			





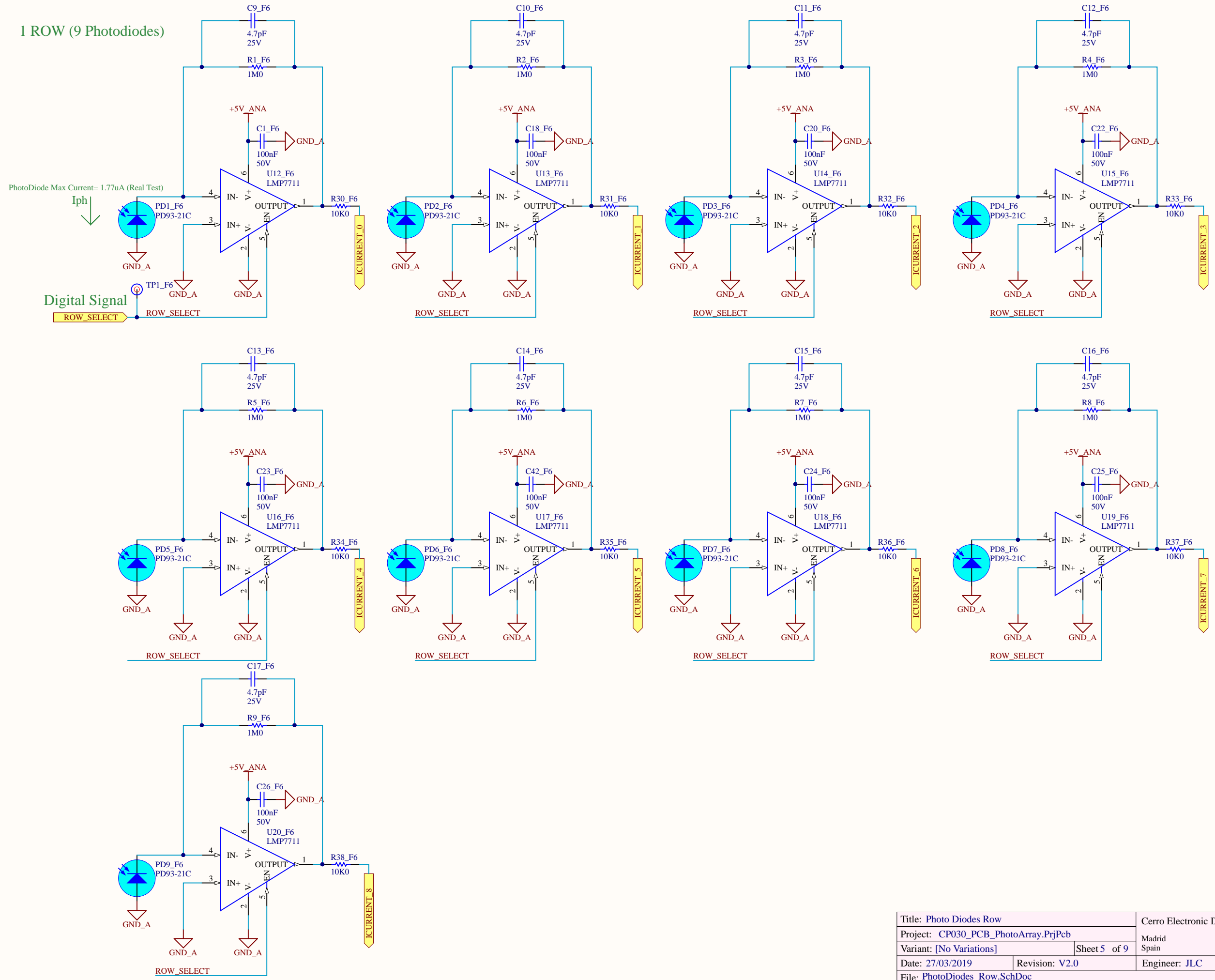
1 ROW (9 Photodiodes)



Title: Photo Diodes Row		Cerro Electronic Design S.L.	
Project: CP030_PCB_PhotoArray.PrijPcb		Madrid	
Variant: [No Variations]	Sheet 5 of 9	Spain	
Date: 27/03/2019	Revision: V2.0	Engineer: JLC	
File: PhotoDiodes_Row.SchDoc			

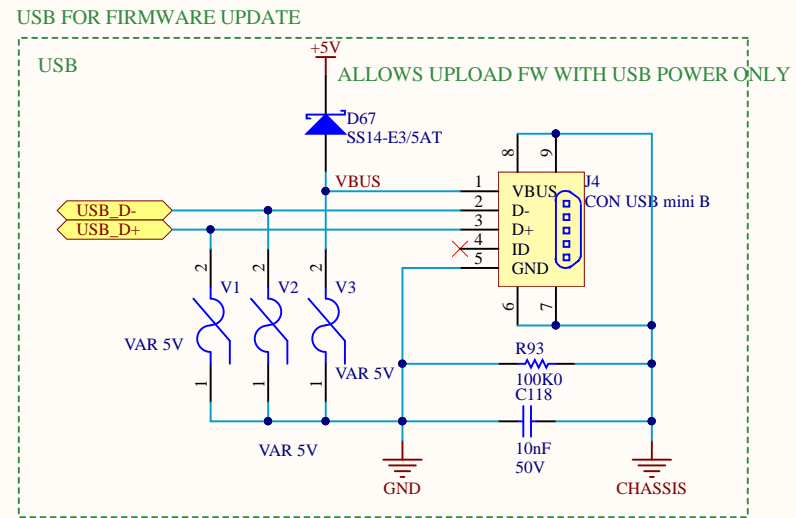
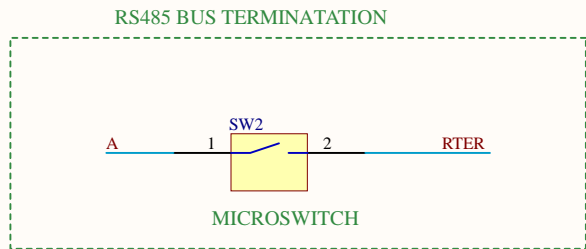
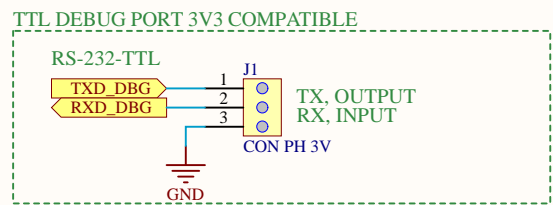
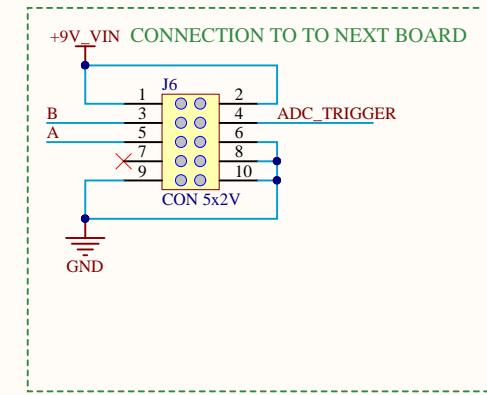
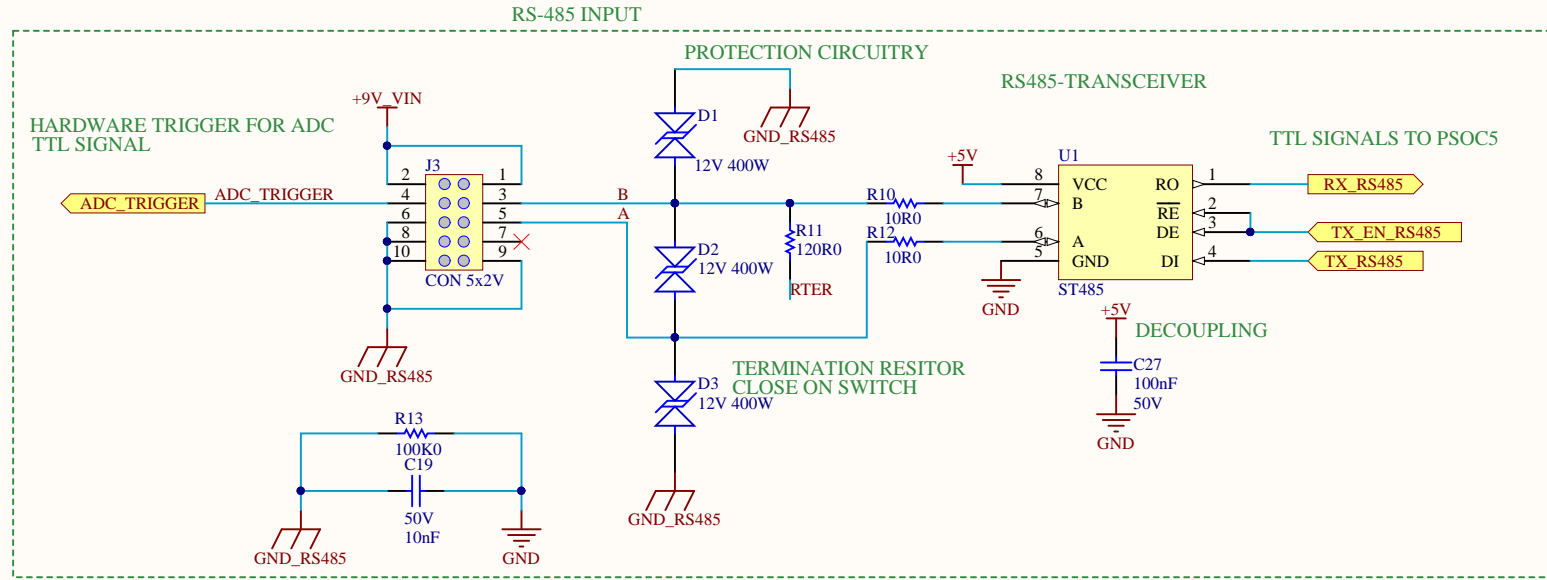


1 ROW (9 Photodiodes)



Title: Photo Diodes Row		Cerro Electronic Design S.L.	
Project: CP030_PCB_PhotoArray.PrijPcb		Madrid	
Variant: [No Variations]	Sheet 5 of 9	Spain	
Date: 27/03/2019	Revision: V2.0	Engineer: JLC	
File: PhotoDiodes_Row.SchDoc			

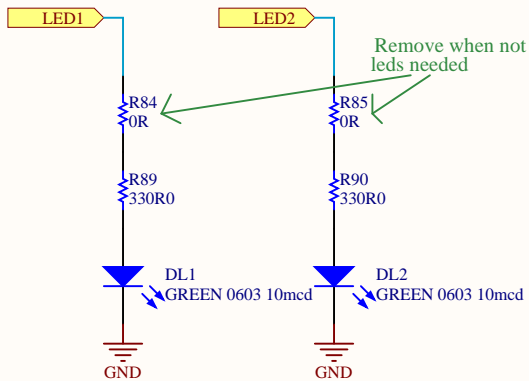




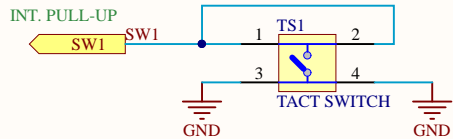
Title: <b>Communications</b>		Cerro Electronic Design S.L.	
Project: <b>CP030_PCB_PhotoArray.PrjPcb</b>		Madrid Spain	
Variant: <b>[No Variations]</b>		Sheet <b>6 of 9</b>	
Date: <b>27/03/2019</b>	Revision: <b>V2.0</b>	Engineer: <b>JLC</b>	
File: <b>Communication.SchDoc</b>			



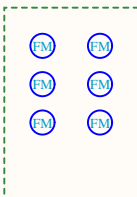
GRAL. PURPOSE LEDS



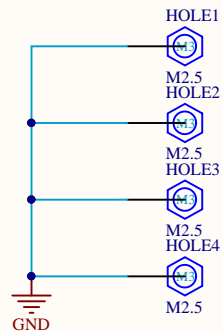
GRAL. PURPOSE BUTTON



FIDUCIAL MARK



BOARD & HEATSINK HOLDERS



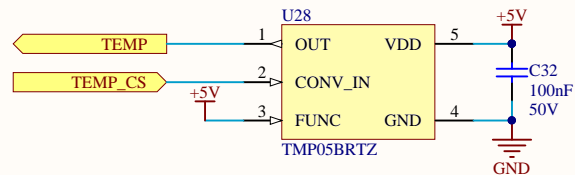
Must be specified countersunk screws

PCB  
 PCB  
 CP030-PHOTOARRAY-V2\_0

Title: Miscellaneous		Cerro Electronic Design S.L.	
Project: CP030_PCB_PhotoArray.PrjPcb		Madrid	
Variant: [No Variations]		Spain	
Date: 27/03/2019	Revision: V2.0	Engineer: JLC	
File: Miscellaneous.SchDoc			

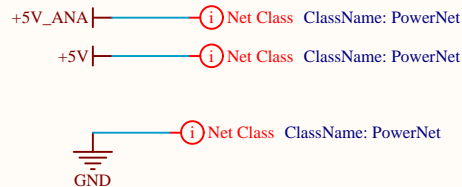
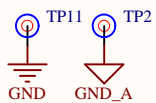
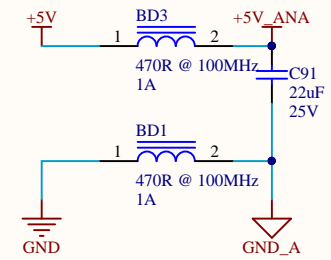
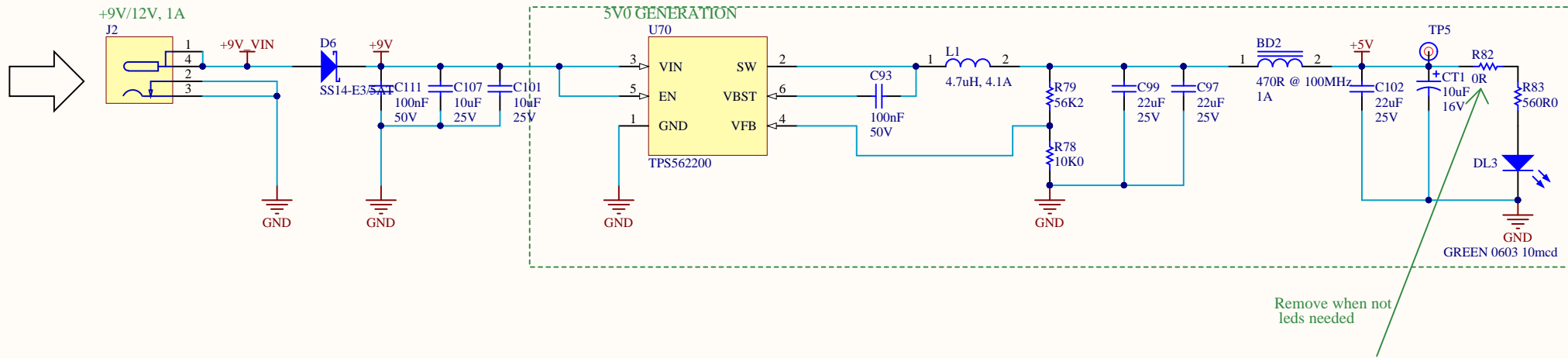


TEMPERATURE MEASUREMENT



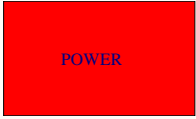
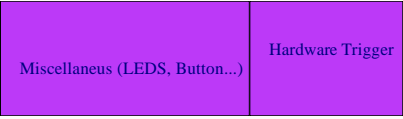
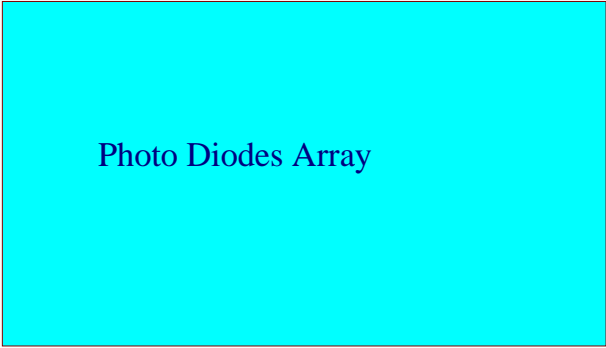
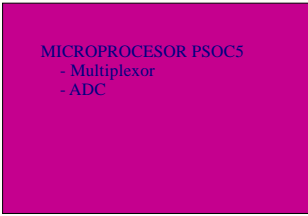
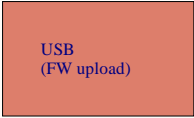
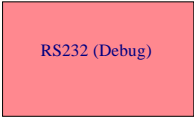
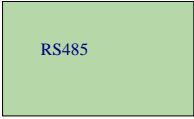
FUNC pin:  
 Low, One shot  
 Floating, Continuous converting  
 High, Daisy-chain (required by PSOC)

Title: Temperature		Cerro Electronic Design S.L.		
Project: CP030_PCB_PhotoArray.PrjPcb		Madrid Spain		
Variant: [No Variations]		Sheet 8 of 9		
Date: 27/03/2019	Revision: V2.0	Engineer: JLC		
File: Temperature.SchDoc				



Title: Power		Cerro Electronic Design S.L.	
Project: CP030_PCB_PhotoArray.PrjPcb		Madrid Spain	
Variant: [No Variations]		Sheet 9 of 9	
Date: 27/03/2019	Revision: V2.0	Engineer: JLC	
File: Power.SchDoc			





Title: Block_Diagram		Cerro Electronic Design S.L.	
Project: CP030_PCB_PhotoArray.PrjPcb		Madrid Spain	
Variant: [No Variations]		Sheet 1 of 9	
Date: 27/03/2019	Revision: V2.0	Engineer: JLC	
File: Block_Diagram.SchDoc			

